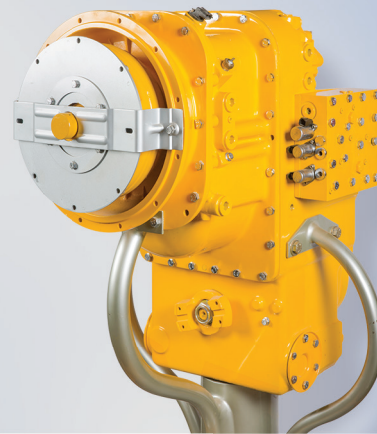


# AC 2000 Series Transmission



## SPECIFICATIONS

General Ratings	
Input Power Max Net	175 HP (130kW)
Input Torque Max Net	590 lb.ft. (8300Nm)
Input Speed Max	3000 RPM

Direction of Rotation (Viewed from Input)	
Input	Clockwise
Output	Clockwise (Forward Ranges)

Speeds	
Forward	4
Reverse	3

Mounting	
Direct	SAE#3 Dry Converter Housing With Flex Plate Drive 2 Sides Mounting Pads and Cradle Mounting Recommended
Remote (Optional)	Input Flange and Two Side Mounting Pads

Gearing	
Type	
Range Gears	Constant Mesh, Spur Type, Counter Shaft and Planetary
Transfer Fears	Constant Mesh, Spur Type

Transmission Gear Ratio (Doesnot include torque converter ratio)					
ADDC 1316	Forward	Reverse	AFCC	Forward	Reverse
	F1=4.98	R1=4.83		F1=6.03	R1=4.45
	F2=2.30	R2=2.23		F2=3.68	R2=3.15
	F3=1.38	R3=1.34		F3=2.23	R3=1.64
	F4=0.79			F4=1.58	
	F4=0.48 (Optional)			F5=0.97	
				F6=0.58	

Torque Converter	
Type	Single Stage, 3-elements, Polyphase (Standard)
Stall Torque Ratio	AVTEC 300 Torque Converter - 3.01:1 (Standard); 2.2:1 (Optional)

Clutches	
Type	Hydraulically-Actuated, Spring Released, Oil Cooled Multidisc and Automatically Wear Compensating

Engine Driven Power Take-Off	
<b>Implement Pump Drive</b>	
Rating	130 HP (97 kW) (Max) Intermittent Power @ 2000 to 3000 rpm 110 HP (82 kW) (Max) Continuous Power @ 2000 to 3000 rpm
Mounting Pad	SAE C, 2/4 Bolt; SAE B, 2 Bolt
Spline Size	SAE C, B (Reducer), SAE BB (1:1 Ratio Only)
Ratio	0.91 x Engine Speed (STD); 1.00 x Engine Speed (Optional)

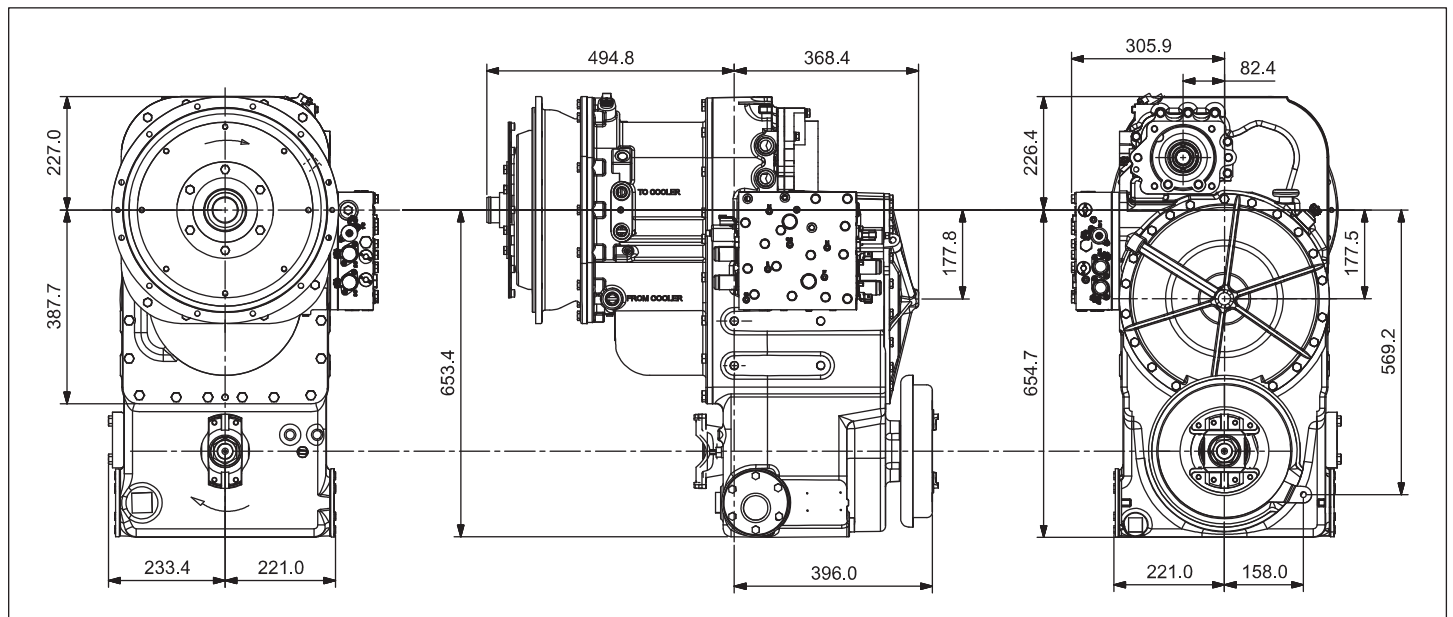
Accessory Drive	
Rating	30 HP (22 kW) (Max) Continuous Power @ 2000 to 3000 rpm
Mounting Pad	SAE A 2 Bolt
Spline Size	SAE A or B
Ratio	0.91x Engine Speed (STD); 1.00 x Engine Speed (Optional)
Speed Sensing	Output (STD), Engine, Turbine (Optional)

Control Valve Body	
Types	Electro Hydraulic

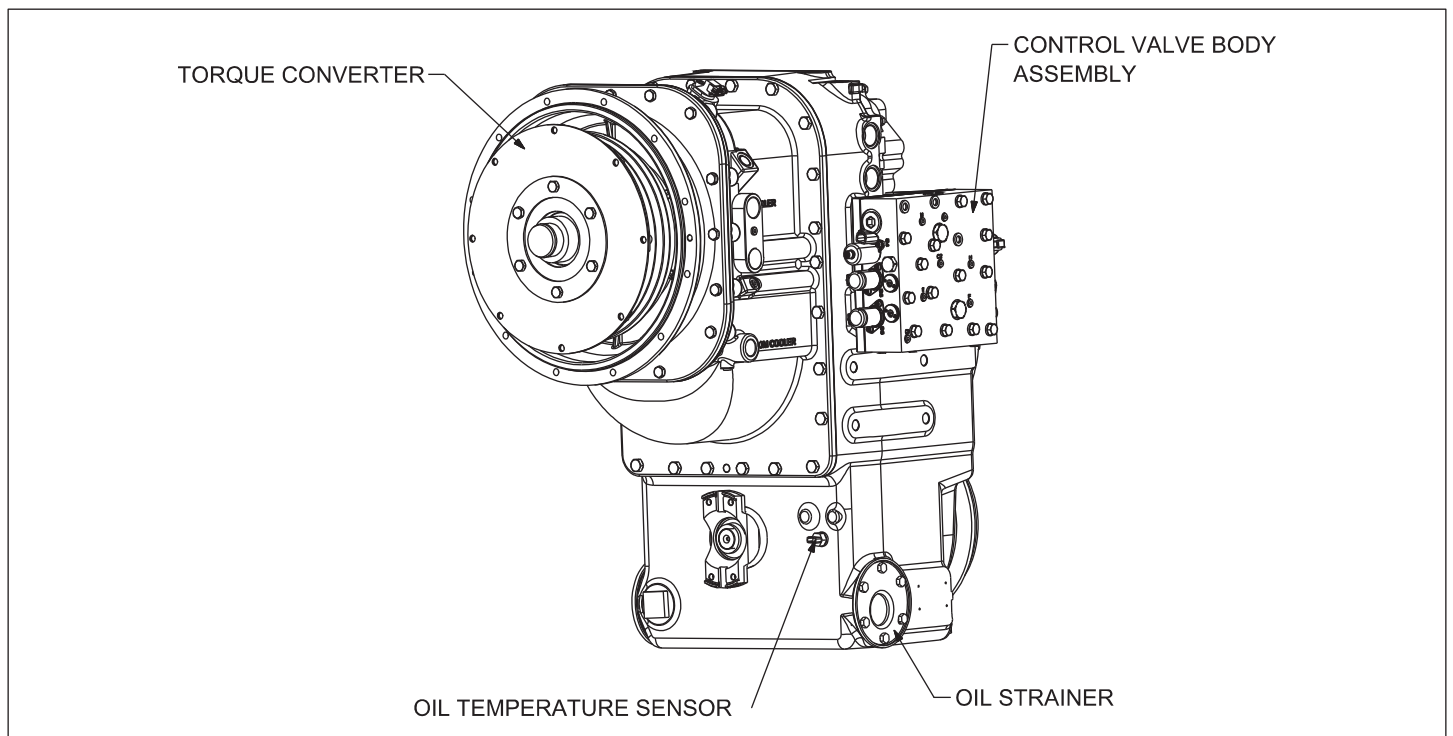
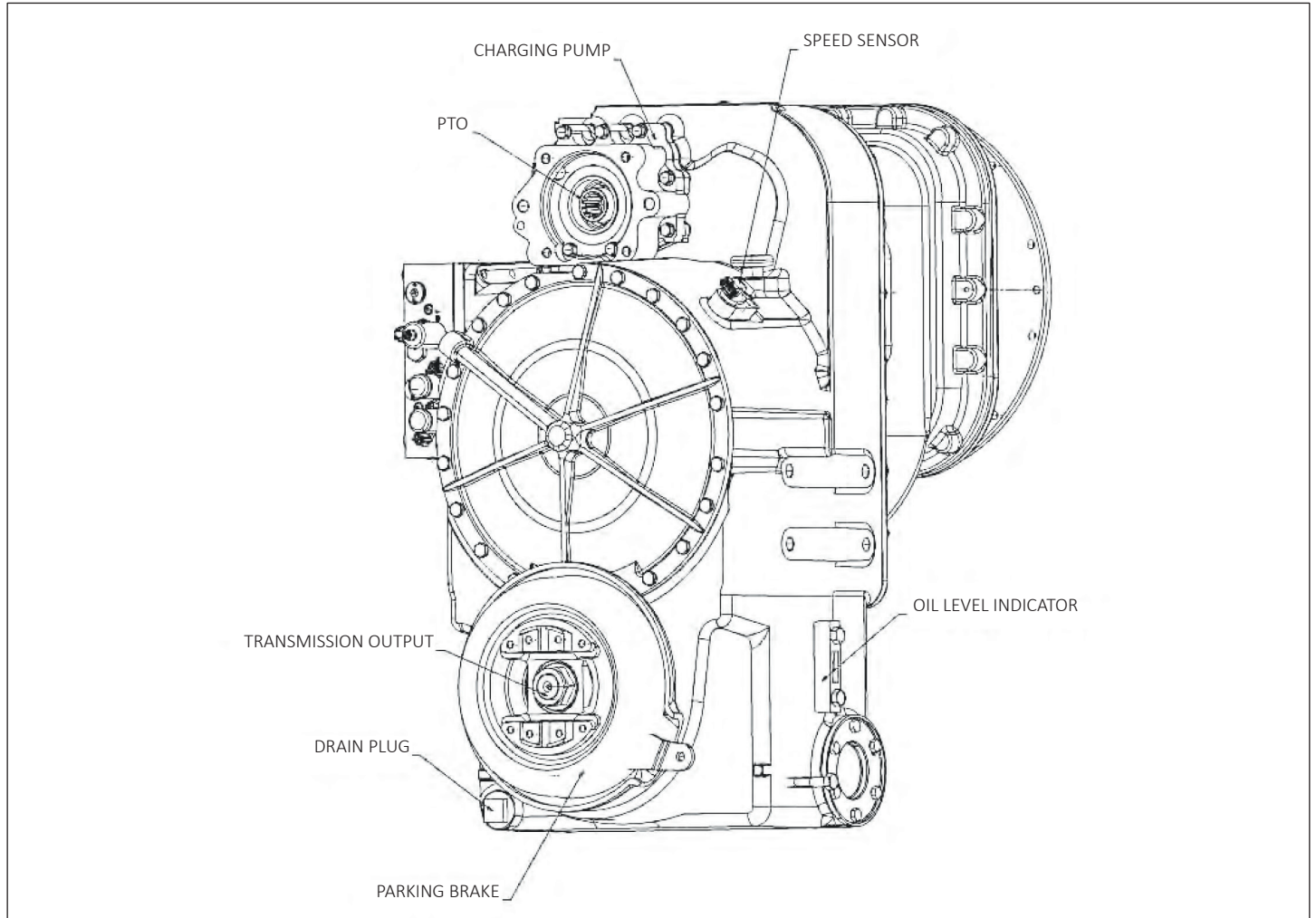
Oil System	
Oil Type	Hydraulic Transmission Fluid; Type C-4
Oil Capacity	32 Litres (8.5 U.S. gal) (Less External Circuits)
Filter	AVTEC Furnished Remote Mounted

Size	
Length, Max, Approx.	890 mm
Width, Max, Approx.	552mm
Height, Max, Approx.	881 mm
Weight, Max, Approx.	476 kg

## DIMENSIONS



DESIGN FEATURES



---

## CAPABILITY HIGHLIGHTS

- The only Indian player with the capability to design and Manufacture Complete Transmission Aggregates and spares for the off Highway industry.
- The business operates out of its modern manufacturing facility at Hosur and Chennai in Tamil Nadu, India.
- Supplies complete Hauling and Cycling, Powertrain and Automatic Transmission Aggregates in 50-3300 HP range for mining, construction, material handling, railways and Defence Application.
- Serves a broad array of applications including Loaders, Dump trucks, forklifts, Railway OHE cars, Cranes and Oil rigs.
- Significant experience in exports especially intricate components like shafts, planetary systems and large housings.
- All plants are accredited with international quality certification such as TS 16949, ISO 9001, ISO 14001 and TPM excellence award.